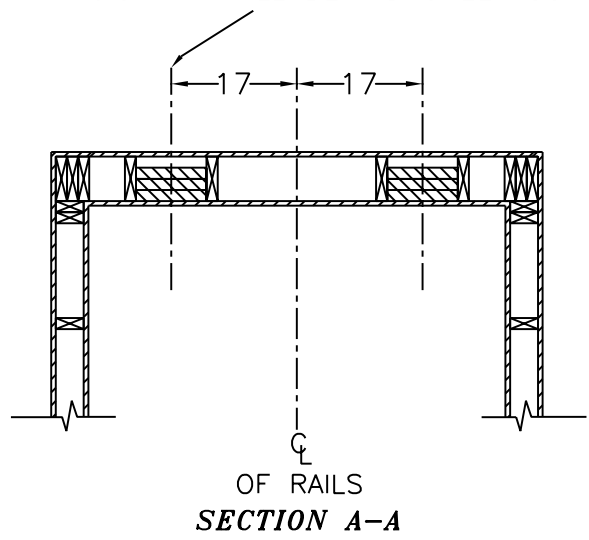


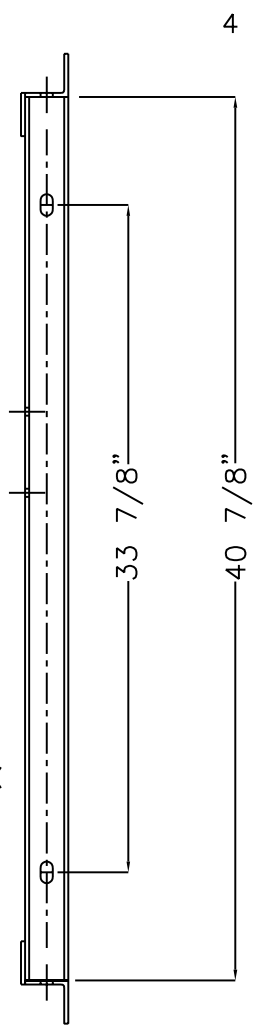
HOISTWAY

NOTE: SUGGESTED BACKING TO ANCHOR ELEVATOR RAIL BRACKETS FOR ALTERNATIVE MOUNTING CONSULT FACTORY

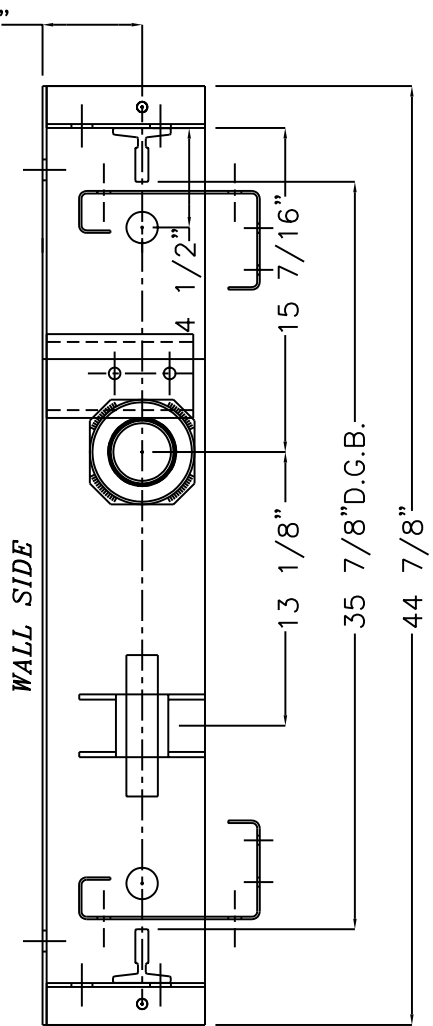
(3) 2 X 10 LAMINATED, SUPPORTED AND FASTENED BETWEEN (2) 2 X 6 RECESSED IN HOISTWAY WALL BEHIND SHEETROCK



RAIL BRACKET SIDE VIEW



PEDESTAL BASE TOP VIEW



CONTRACTOR'S RESPONSIBILITY:
 PROVIDE ADEQUATE WALL SUPPORTS FOR T-RAIL FASTENINGS. VERTICAL INTERVALS NOT TO EXCEED 10'0".
 COMPLY TO ALL PERTINENT BUILDING CODES FOR HOISTWAY CONSTRUCTION AND FIRE RATING.

ACCREDITED HOME ELEVATOR
www.accelelevator.com
 1-800-488-5905